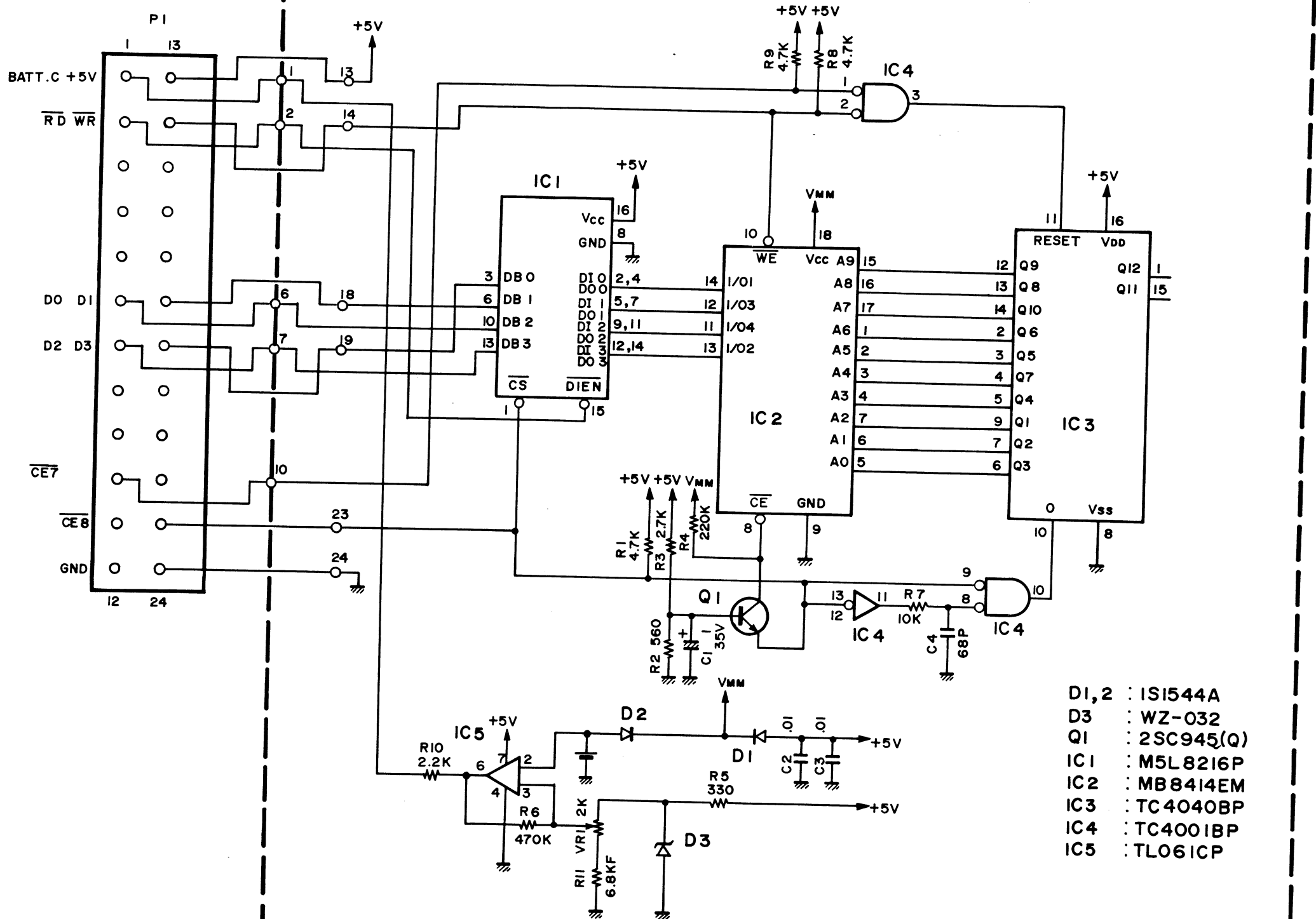


SCHEMATIC DIAGRAM

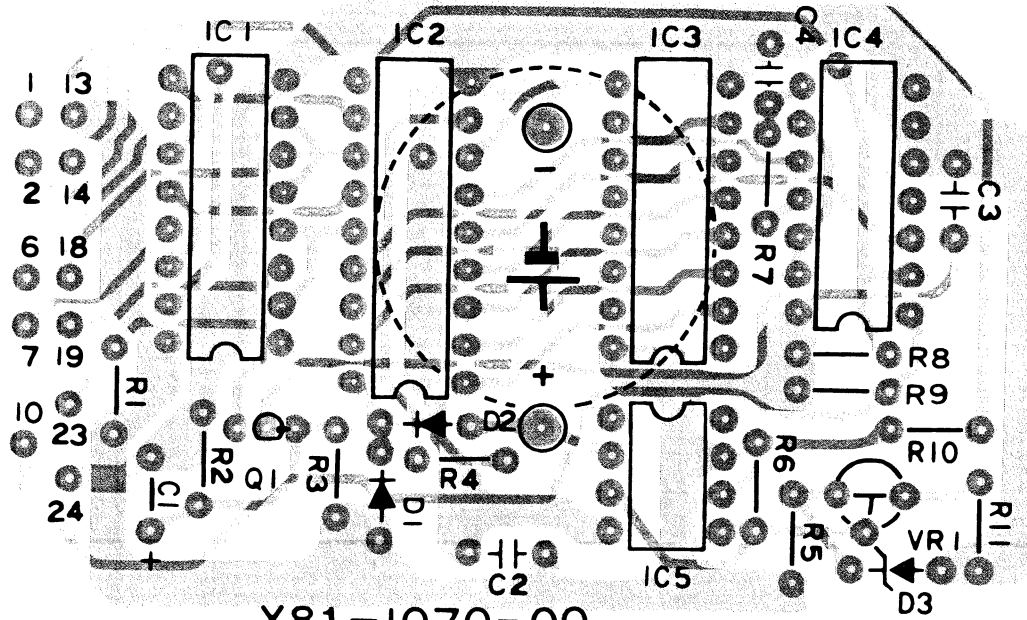
MT-1725

X81-1070-00



P.C. BOARD

X81-1070-00



X81-1070-00

11-3PT 40-5230-04 152-5230-04